



Fulton SYSTEMS

Fulton Systems, Inc.
5875 Peachtree Industrial Blvd.
Suite 330, Norcross, GA 30092

©Copyright 2024 Fulton Systems, Inc. All Rights Reserved

DESUPERHEATER STEAM CONDITIONERS

DESUPERHEATER STEAM CONDITIONERS

PRODUCT

Horizontal (HH) and Vertical (HV) Desuperheater
(Steam Conditioner)

SHELL DIAMETER DESCRIPTION

An absorption type Desuperheater is a tool for the papermaking process that reduces superheated steam temperatures to saturated steam temperatures. It is designed to thoroughly mix steam and condensate using a liquid spray nozzle and mist eliminator pad.

APPLICATION

May be installed in main steam supply as well as machine dryer section headers. Desuperheaters are ideal for steam shower applications where steam temperature and water droplet control is critical to your application. Units can be applied to both Yankee and conventional machines.

DESIGN

Pressures to 300 psig. Temperatures to 550°F.

CONSTRUCTION

All units are built, inspected and stamped in accordance with the A.S.M.E. Code Section VIII, Div. I. Units include certificate of inspection and national board registration.

HEADS AND SHELL

A.S.M.E. Carbon Steel Inlet/Outlet Nozzles: 150 or 300 lbs.
A.N.S.I. B16.5

SIZE & DESIGN

Horizontal: 18" to 48" Shell Diameter
Vertical: 12" to 36"



MIST ELIMINATOR PAD

Stainless Steel Accessories Included: S.S. spray nozzle, steel spray nozzle reducing bushing, and "Y" strainer with stainless steel screen and NPT connections.

ACCESSORIES

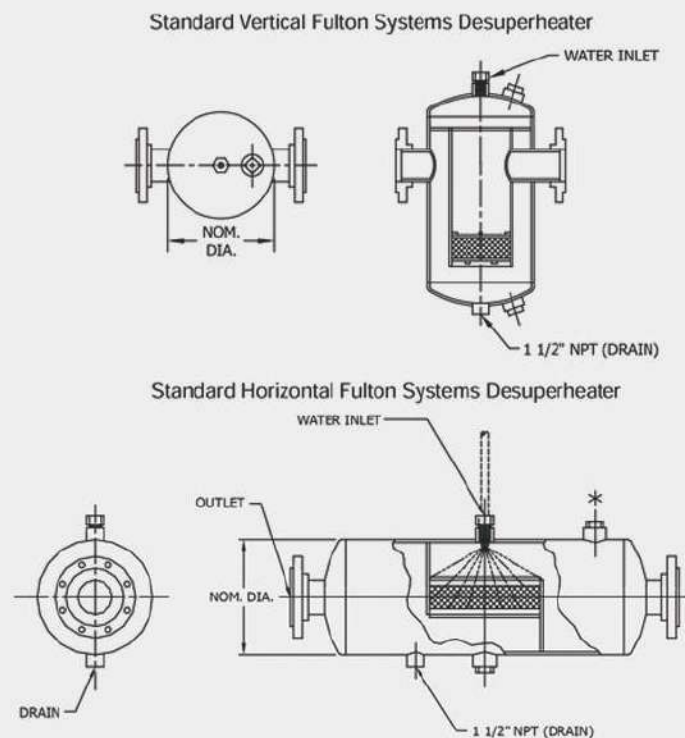
Several levels of control are available depending upon the process requirements.

SUPPORTS

Saddles, lugs, skirt. Steam Trap for accumulated condensate discharge. Visiflow for visual verification on condensate discharge.

OTHER

Venturi, mechanically atomized and steam atomized type Desuperheaters are also available upon request.



5-2005 FSI-107

Fulton SYSTEMS

CONTACT US

5875 Peachtree Industrial Boulevard, Suite 330,
Norcross GA 30092-3401

Office : 770.447.1400

Fax : 770.447.4277

www.fultonsystems.com