

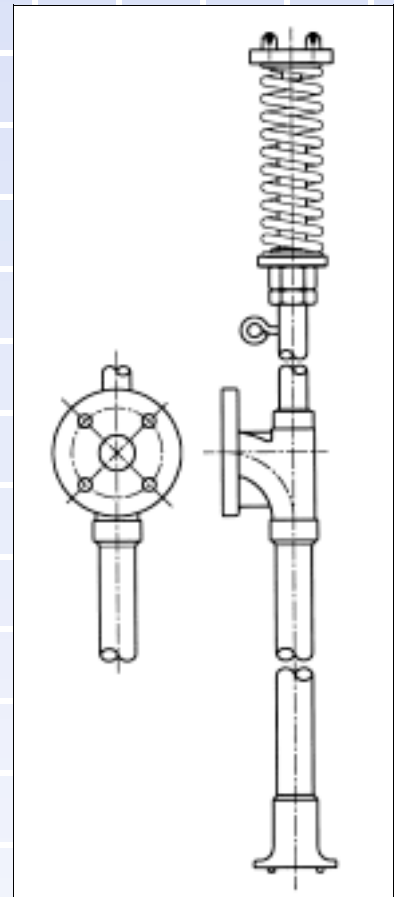
BARCO SERIES Rotary Syphon

For Paper Machine Dryers

The cost-effective solution for condensation removal

Special Design Features

- **Stainless steel heavy-duty long radius full flow elbow minimizes pressure drops and resists erosion.**
- **Hardened stainless steel pads accurately positions the pickup shoe for efficient condensate removal.**
- **Heavy-duty stainless steel spring prevents the syphon from moving inside the dryer.**
- **Full flow design for maximum condensate removal.**



The Barco Rotary Syphon is precision engineered for maximum performance and durability. Directly interchanging with competitive rotary syphons, the Barco Rotary Syphon offers long life at a low cost.

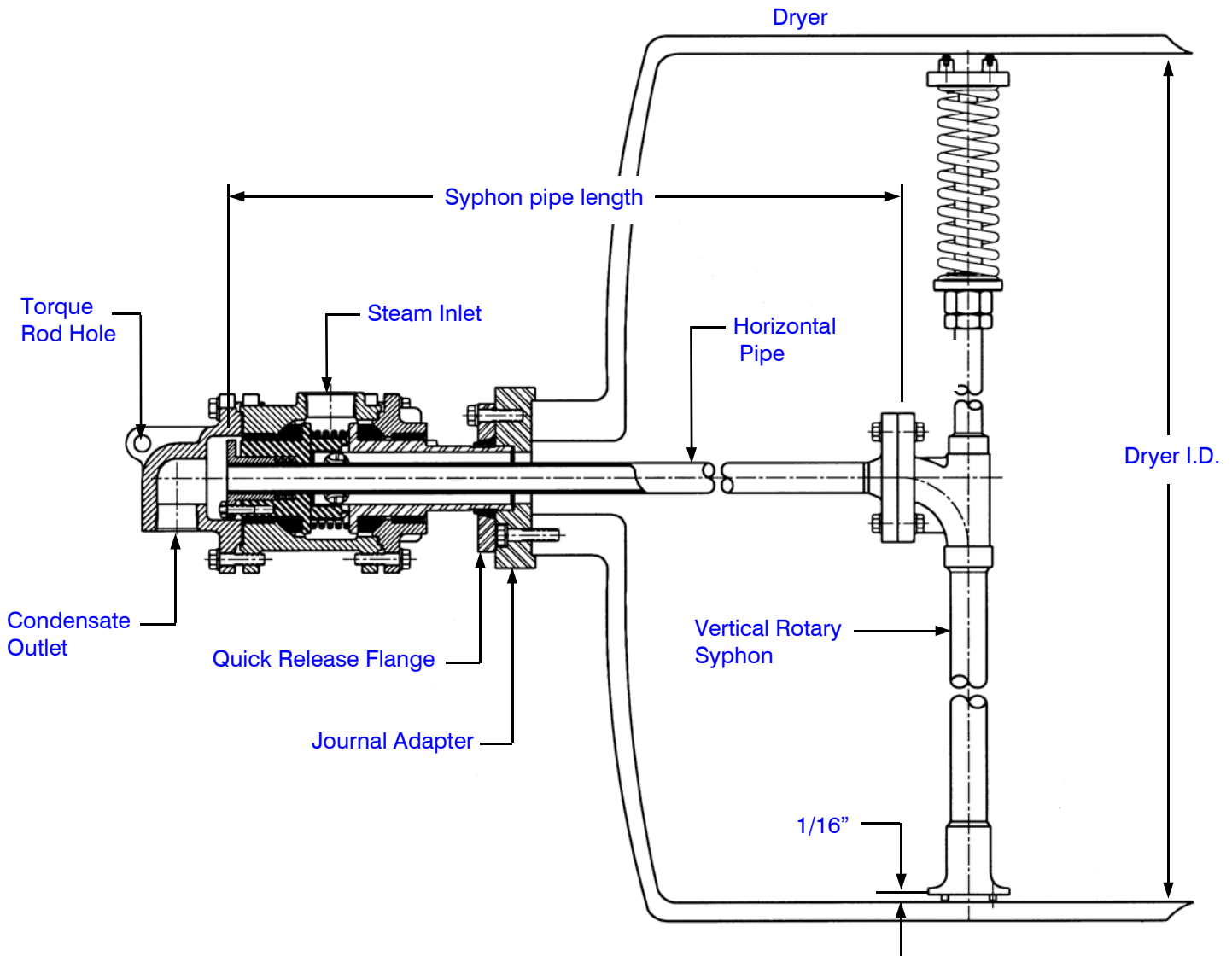
When combined with the Barco GR or GRX Rotary Joint, downtime and maintenance costs are drastically reduced.

Size Range

Vertical	Horizontal
3/4"	3/4", 1"
1"	1", 1-1/4"

BARCO SERIES Rotary Syphon Assembly

for Type GR & GRX Rotary Joints



The Barco Rotary Syphon is designed specifically for use in condensate removal systems for paper machine dryers.

For more information, contact:

Fulton
SYSTEMS

Fulton Systems
5875 Peachtree Industrial Blvd.
Suite 330
Norcross, GA 30092
Phone: (770) 447-1400
Fax: (770) 447-4277
www.fultonsystems.com

Barco USA
1100 Alexander Court
Cary, IL 60013-1892
Phone: (847) 516-0900
Fax: (847) 516-5590

Printed in U.S.A. 06-04.

Specifications subject to change without notice.
Barco products are protected by patents internationally.
Copyright ©1998 Barco Division Marison Industries, Inc.

www.barcoseals.com
e-mail: info@barcoseals.com



A DIVISION OF MARISON INDUSTRIES