



BARCO SERIES

Type "C"

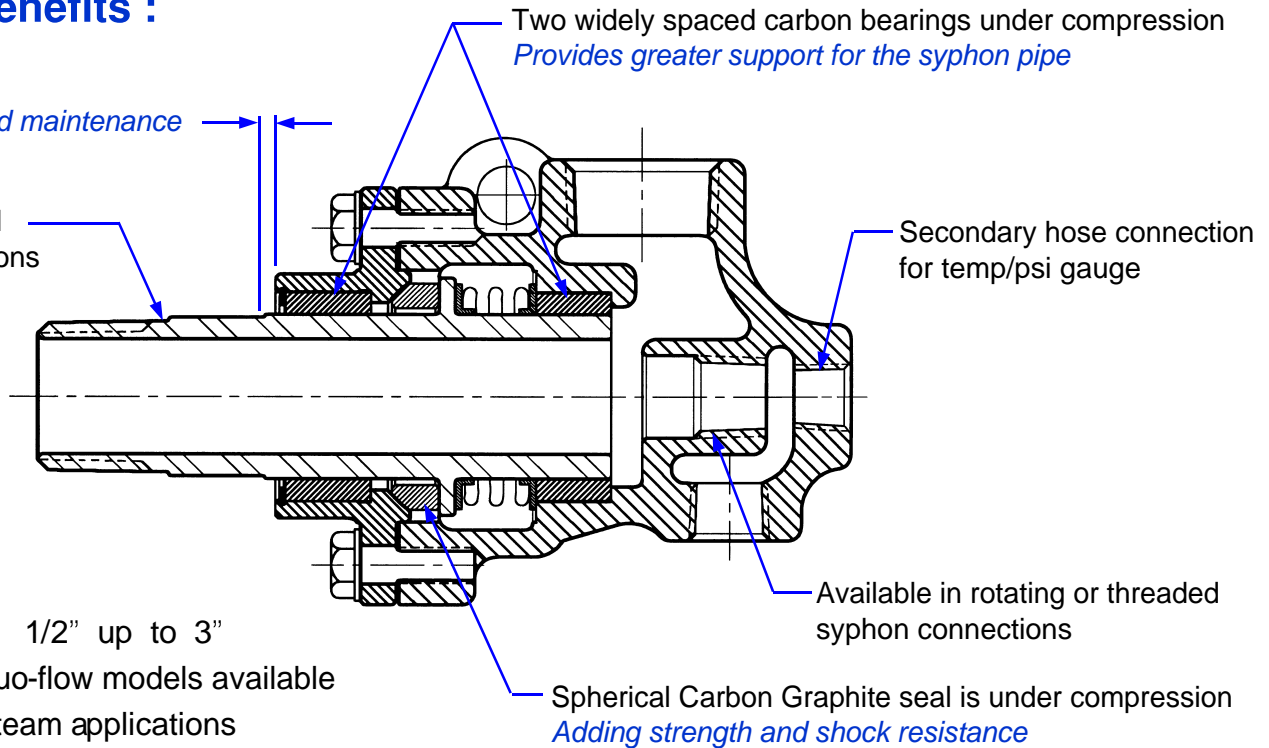
Steam, Water & Hot Oil Applications

Features & Benefits :

Seal wear indicator

Allowing for planned maintenance

Threads or Flanged
to fit most applications



8 sizes available : 1/2" up to 3"

Mono-flow and Duo-flow models available

Ferrous trim for steam applications

Bronze trim for water applications



Additional Benefits :

Exceptionally long service life without lubrication

Handles a wide range of operating conditions

Reduce expensive down time with wear indicator

Competitively priced

Available from stock

Operating Parameters :

Pressure Rating -

Steam 250 psi (17,5 Kg/cm²)

Temperature +406°F (207°C)

Pressure Rating -

Hot Oil 150 psi (10,5 Kg/cm²)

Temperature +600°F (315°C)

Applications :

Specially designed for steam, water & hot oil rolls

including:

Paper and textile drying cylinders

Rubber Mills / Mixers / Calendars

These joints feature a ductile iron casing, bronze or ferrous sleeve and end cap, stainless steel springs and spring guides. The high density carbon seal under compression and wide-spread bearing surfaces assure exceptionally long life without lubrication.

Fulton SYSTEMS

Fulton Systems

5875 Peachtree Industrial Blvd.

Suite 330

Norcross, GA 30092

Ph: 770-447-1400

Fx: 770-447-4277

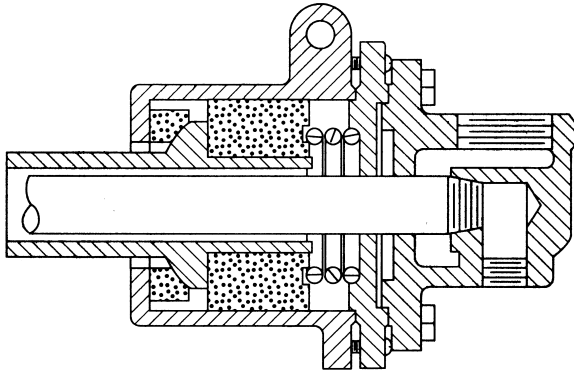
www.fultonsystems.com



Engineered for Exceptional Performance

Rotary Joint Comparisons

Johnson Type "S" :



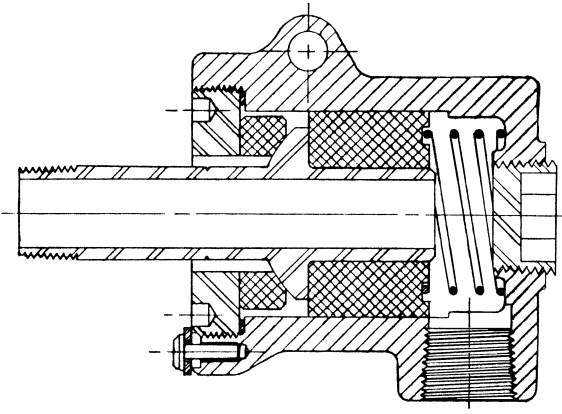
Single centered, "free floating" carbon bearing does not provide a stable support. Syphon susceptible to vibration leading to possible fracture.

Carbon graphite seal placed in a state of tension is unstable and susceptible to fracture.

No seal wear indicator. No method to measure wear.

Inner casing surface acts as sealing surface and is not re-usable.

Deublin 9000 \ Duff Norton 8000 :



Single centered, "free floating" carbon bearing does not provide a stable support. Syphon susceptible to vibration leading to possible fracture.

Carbon graphite seal placed in a state of tension is unstable and susceptible to fracture.

Spring is in the flow path. High fluid velocities may cause seal flutter.

Fulton
SYSTEMS

Fulton Systems
5875 Peachtree Industrial Blvd.
Suite 330
Norcross, GA 30092
Ph: 770-447-1400
Fx: 770-447-4277
www.fultonsystems.com

Barco USA
1100 Alexander Court
Cary, IL 60013-1892
Phone: (847) 516-0900
Fax: (847) 516-5590

Printed in U.S.A. 03-03.

Specifications subject to change without notice.
Barco products are protected by patents internationally
Copyright ©1998 Barco Division Marison Industries, Inc.

www.barcoseals.com
e-mail: info@barcoseals.com



A DIVISION OF MARISON INDUSTRIES